

ÜBERSICHTSZEICHNUNG

ASSEMBLY DRAWING

GHOST



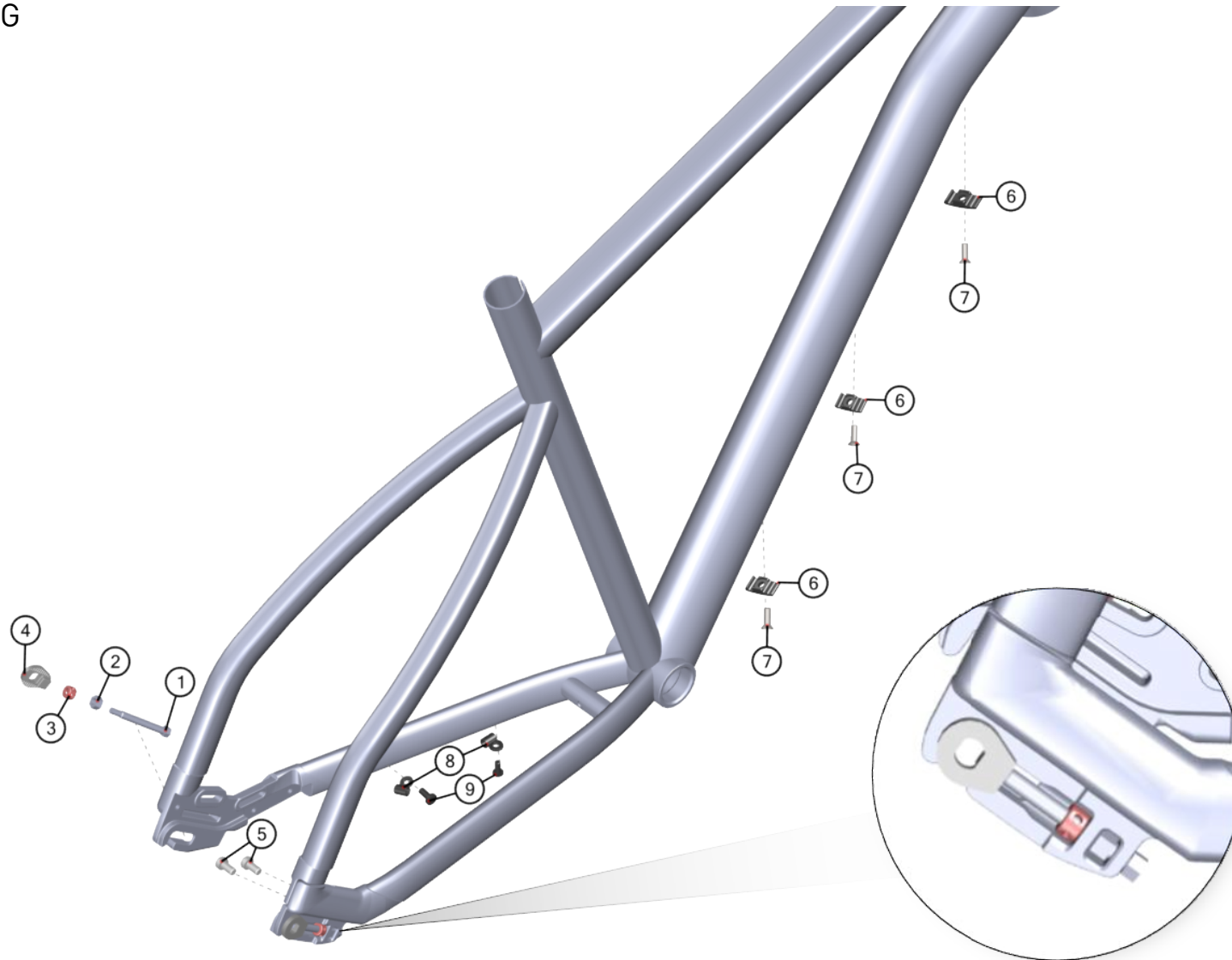
SQUARE TIMES 9.9 & 6.9 (MY20)

2019-08-19

V01

ÜBERSICHTSZEICHNUNG ASSEMBLY DRAWING

GHOST



ÜBERSICHTSZEICHNUNG

ASSEMBLY DRAWING

GHOST

BOM-ID	Description	Specification	Torque	Item no.	QTY
1	axle shock for adjustable dropout			FROT0006	2
2	self-locking nut for adjustable dropout			FROT0008	2
3	counter wheel (nut) for adjustable dropout			FROT0005	2
4	nut for hub			depends by hub	2
5	flat head screw	HEX 4 - M6 x 10 mm	8 Nm	SM1196	2
6	cable guides 3 fach			SM1441	3
7	Würth, screw torx, SHR-SEKPF-ISO1458	T25 - M5 x 11 mm	5 Nm	SM0920	3
8	cable guides 1 fach			SM0002	2
9	Würth, screw torx, SHR-ISO1458	T25 - M5 x 11 mm	5 Nm	SM0919	2